

# CRAFTA FORMS

FINISHES STUDIO



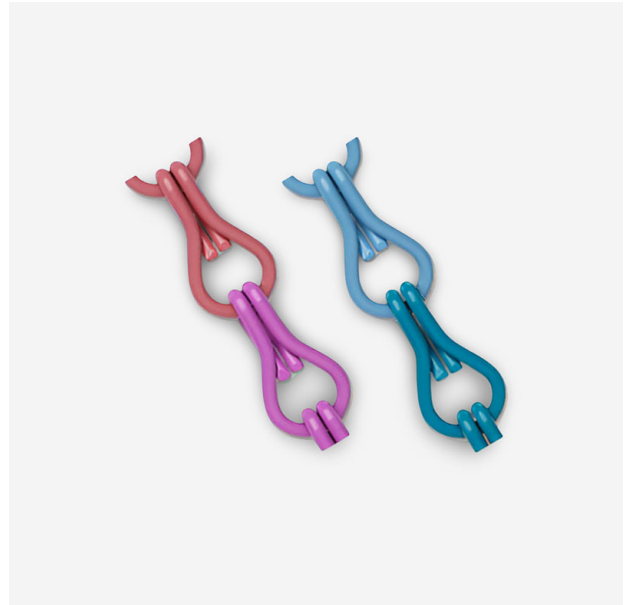
# 53

## ALUCHAINOR -QKCLC Gradient Chain Link Curtain

### **ALUCHAINOR-QKCLC Gradient Chain Link Curtain**

combines modern style with durable performance. Made from lightweight 100% aluminum alloy, it is rust-resistant, easy to install, and suitable for both indoor and outdoor spaces. With its gradient multicolor design, the curtain enhances airflow and light while adding an artistic flair. Perfect for doorways, dividers, showrooms, cafes, or decorative displays, it offers a versatile solution for both residential and commercial interiors.





# ALUCHAINOR-QKCLC Gradient Chain Link Curtain

Aluchainor QKCLC Gradient Chain Link Curtain is crafted from premium aluminum alloy, ensuring both durability and lightweight handling. The tightly looped chain links form a semi-transparent surface that balances strength with elegance, allowing airflow and light to pass through while defining spaces with style. An anodized surface treatment enhances corrosion resistance, ensures long-lasting performance, and delivers vibrant metallic finishes. Its flexible hook system simplifies installation, enabling designers and homeowners to adapt the curtain for a wide range of applications, from partitions to decorative displays.

## MATERIAL

Aluminium alloy

## DIMENSION

Wire Diameter	1.2,1.4,1.6&2.0 mm
Hook Width	9/12 mm
Hook Length	17 - 24 mm
Weight	17-40g/m
Curtain Size	0.8x2 M , 1x2 M Customizable

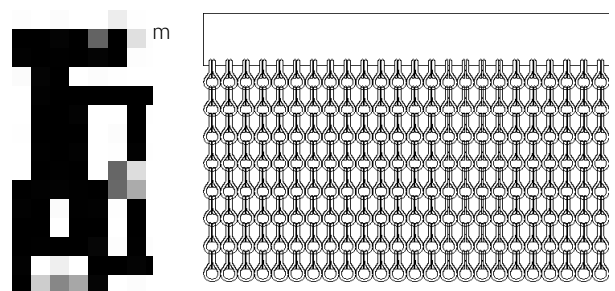
## SURFACE TREATMENT

Anodizing

## FINISHES



## DIMENSIONAL DETAIL



NCS Finish Download ↓

Download .dwg ↓



# Finishes

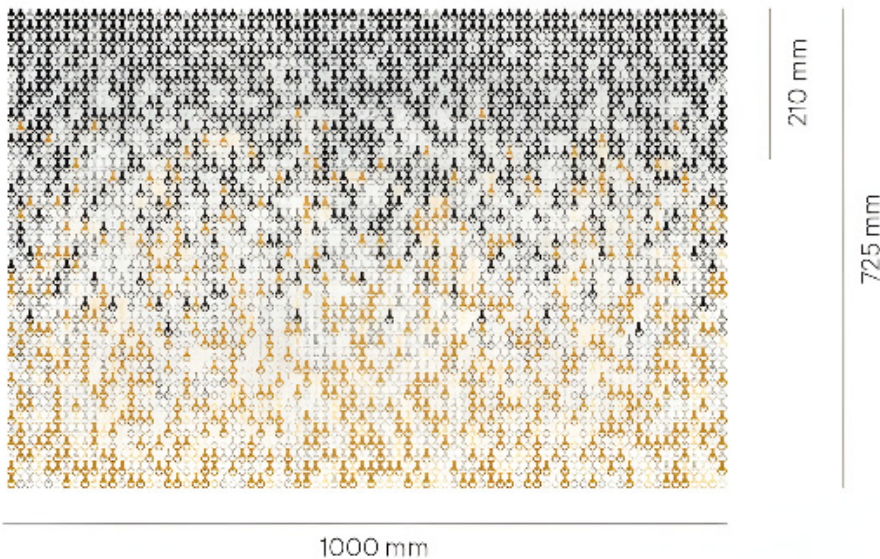
Aluchainor QKCLC Gradient Chain Link Curtain is available in a wide palette of finishes, including silver, black, green, blue, red, purple, gold, copper, bronze, and custom tones. Its gradient arrangement—linear, diagonal, or custom—creates a dynamic visual effect that shifts with light and movement, making it an eye-catching feature in any space.



**QKCLC**

Custom Gradient Multicolor

## A Curtain - Version 3,1 - Section example

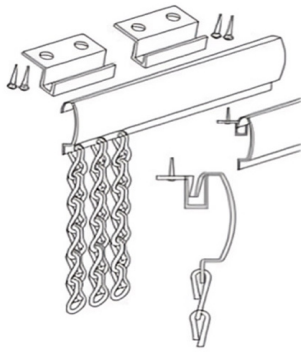


The Aluchainor QKCLC Gradient Chain Link Curtain can be tailored in a wide range of finishes—including silver, black, green, blue, red, purple, gold, copper, bronze, and fully customized tones—as well as in a variety of design patterns to suit any space.



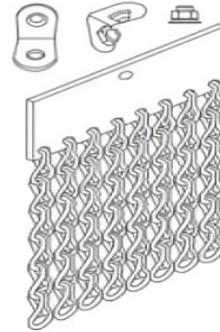
# Installation Detail

The Aluchainor QKCLC Chain Link Curtain is easy to install and suits a variety of spaces. It can be mounted to ceilings, walls, or door frames using simple hardware and track systems.



STRAIGHT TRACK

The straight track system is the most commonly used and cost-effective installation method. It features a rigid, linear rail with uniformly spaced pre-drilled holes for quick and secure mounting. Designed specifically for straight chain link curtains, this installation type is ideal for wall or ceiling applications where a fixed, non-movable curtain is desired. With minimal accessories required, it offers a clean, durable, and permanent solution for partitions or decorative enhancements.



CURVED TRACK

Curved track installation offers a versatile and visually striking alternative for spaces requiring a non-linear layout. Engineered with a pre-formed cambered shape, the track seamlessly follows architectural curves and accommodates custom design conditions. Like the straight track, curtains mounted on curved tracks remain fixed in place and do not slide. This method is especially suitable for hotels, restaurants, office interiors, and any environment where an elegant, curved space divider or bespoke partition is required.



# Connect with Us

**Where ideas meet materials.**  
Let's create spaces that speak  
through surface, texture, and  
detail.

[ask@craftaforms.com](mailto:ask@craftaforms.com)

[craftaforms.com](http://craftaforms.com)

[@insta.craftaforms](https://www.instagram.com/insta.craftaforms)