

CRAFTA FORMS

FINISHES STUDIO



86

GLASMETRA -CFVFGP Vistaline Fluted Glass Panel

GLASMETRA -CFVFGP - Vistaline Fluted Glass Panel features a refined vertical ribbed design that balances light flow and privacy. Crafted as premium tempered or laminated architectural glass, it adds texture, depth, and elegance to interior glass wall panels, partitions, feature walls, and modern commercial spaces.



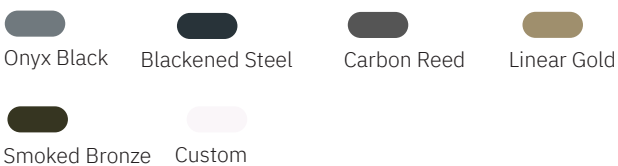


Glasmetra -CFVFGP

Vistaline Fluted Glass Panels

GLASMETRA CFVFGP – Vistaline Fluted Glass Panel reintroduces a classic architectural texture with modern precision. Each panel features a vertical ribbed glass profile, where individual flutes are defined by fine continuous creases. The convex front and concave back surfaces create a subtle 3D effect while enhancing privacy and light diffusion. Available as premium tempered glass panel or laminated architectural glass, Vistaline suits interior partitions, feature walls, doors, façades, and contemporary commercial and residential interiors.

FINISHES



MATERIAL

Premium Tempered Glass

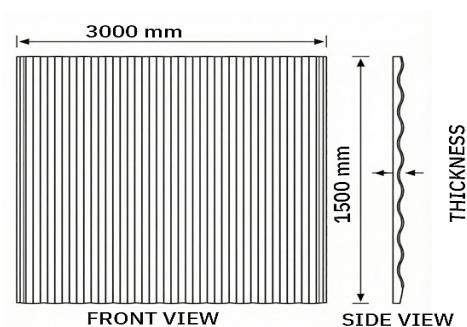
DIMENSION

Size	300 × 300 mm
Standard Max Size	1500 × 3000 mm
Custom Max Size	1800 × 3500 mm
Thickness	10-12 mm
Water Absorption	0%
Fire Resistance	Class A

SURFACE FINISHES

Frosted

DIMENSIONAL DETAIL



NOTE: Custom thickness from 10 -12 mm available on request.

[Download .dwg](#) ↓



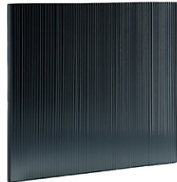
Finishes

GLASMETRA CFVFGP – Vistaline Fluted Glass Panel available in smooth, translucent, and refined surface finishes with optional light-diffusing and privacy treatments. Options include clear visual finishes, soft matte effects, and etched or frosted textures. Precision flat-polished edges ensure a clean, architectural appearance suitable for modern interiors.



CF-VFGP-01

■ Onyx Black



CF-VFGP-02

■ Blackened Steel



CF-VFGP-03

■ Carbon Reed



CF-VFGP-04

■ Linear Gold



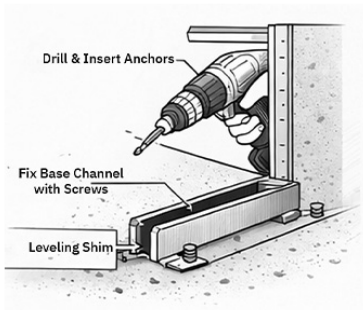
CF-VFGP-05

■ Smoked Bronze

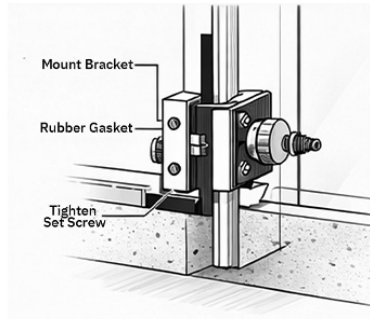


Installation Detail

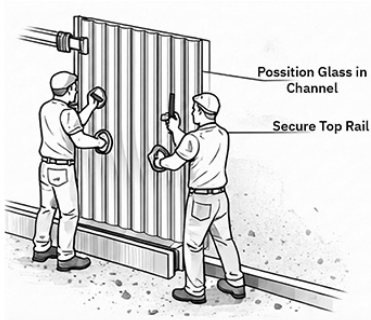
GLASMETRA CFVFGP – Vistaline Fluted Glass Panel are installed using standard glass fixing systems such as channels, clamps, frames, or concealed hardware. Installation should be carried out by professional installers to ensure proper alignment, safety, and surface protection. Laminated options are recommended for high-traffic or safety-critical areas.



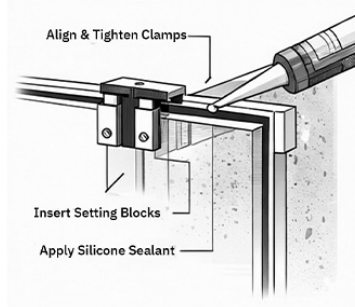
1. Prepare Base Channel



2. Install Glass & Gaskets



3. Set Glass Panel



4. Adjust & Seal



Connect with Us

Where ideas meet materials.
Let's create spaces that speak
through surface, texture, and
detail.

ask@craftaforms.com

craftaforms.com

[@insta.craftaforms](https://www.instagram.com/insta.craftaforms)

CRAFTA
FORMS
FINISHES STUDIO