

CRAFTA FORMS

FINISHES STUDIO



92

CAEME-CFP3D Pentagon 3D Cement Brick

CAEME -CFP3D - Pentagon 3D Cement Brick is a five corner 3D cement brick designed for modern interior walls. Its pentagonal geometry creates depth, texture, and visual rhythm. These lightweight concrete wall panels are durable, waterproof, and fireproof, making them ideal for decorative cement wall panels and interior feature walls.





CAEME -CFP3D

Pentagon 3D Cement Brick

CAEME-CFP3D Pentagon 3D Cement Brick is a sculptural five corner 3D cement brick that brings creativity and structure to interior wall design. Inspired by pentagonal geometry, it breaks away from flat surfaces and traditional patterns. Made from cement, sand, and stone aggregates, this decorative cement wall panel offers a refined concrete look wall panel finish. Its lightweight concrete wall panel construction allows easy installation while maintaining strength and durability. Waterproof and fireproof properties make it suitable for long-term interior applications in residential, commercial, and hospitality spaces. The modular design enables flexible layouts, creating dynamic concrete wall texture interiors with strong architectural impact.

FINISHES



60 T White



10 C Gray



Custom

MATERIAL

PU- Stone

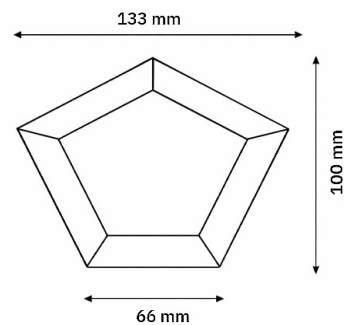
DIMENSION

Size	133× 100 mm
Inner Base	66 mm
Fire Resistance	Fire -resistant
Water Absorption	Low

SURFACE FINISHES

Stone Finish

DIMENSIONAL DETAIL



[Download .dwg](#) ↓



Finishes

CAEME-CFP3D Pentagon is available in carefully selected finishes that suit modern interiors. Options include 60 T White for a clean, minimal concrete look and 60 T White with 10C Gray for subtle contrast and depth. These finishes enhance the geometric form while complementing contemporary cement wall cladding designs.



CF-P3D-01

■ 60 T White



CF-P3D-02

■ 10 C Gray



Installation Detail

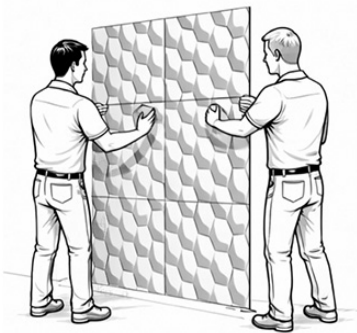
CAEME-CFP3D Pentagon 3D Cement Brick using high-quality tile glue and structural adhesive. First, mark and measure the installation area carefully to reduce cutting, as the panels are special-shaped. Ensure the wall surface is clean, dry, and level. Apply adhesive evenly and fix panels firmly according to the manufacturer's installation guidelines for best results.



1. Prepare Wall and Apply Adhesive



2. Set First Panel



3. Install & Align Panels



4. Grout & Finish



Connect with Us

Where ideas meet materials.
Let's create spaces that speak
through surface, texture, and
detail.

ask@craftaforms.com

craftaforms.com

[@insta.craftaforms](https://www.instagram.com/insta.craftaforms)