

CRAFTA FORMS

FINISHES STUDIO

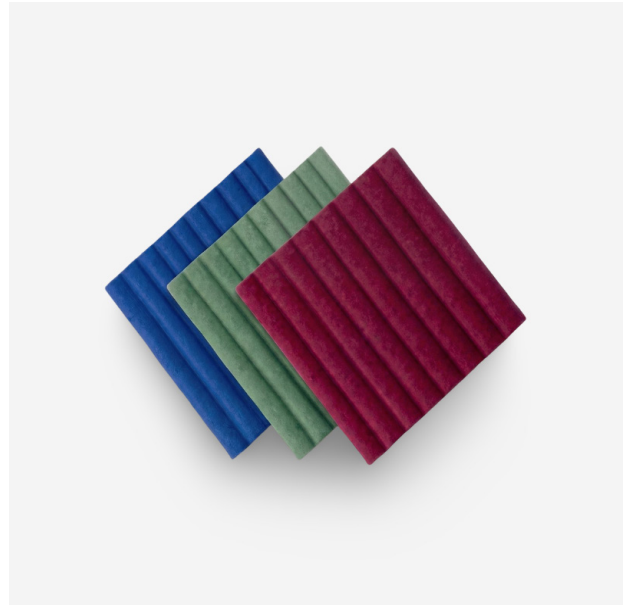


109

ACUFORMS -CFMH3DC4 3D Corrugation Acoustic Panel

ACUFORMS-CFMH3DC4-3D Corrugation Acoustic Panel are designed to improve sound quality and add a modern wall design. Made from 100% polyester fiber, these panels reduce echo and noise effectively. Moreover, their 3D structure enhances sound absorption, making them ideal for offices, studios, and commercial interiors.





Acuforms-CFMH3DC4 3D Corrugation Acoustic Panel

ACUFORMS CFMH3DC4 3D Corrugation Acoustic Panels combine modern aesthetics with high acoustic performance. Made from 100% polyester fiber, these panels are produced using high-temperature pressing to create a strong and precise 3D structure. As a result, they offer excellent sound absorption and help reduce echo and noise in interior spaces. In addition, the lightweight and eco-friendly material ensures easy handling and long-term durability. These decorative acoustic panels are also flame retardant and available in customized colors, making them suitable for offices, studios, commercial spaces, and modern residential interiors.

FINISHES



NOTE: Multiple colors available on request.

MATERIAL

100 % Polyester

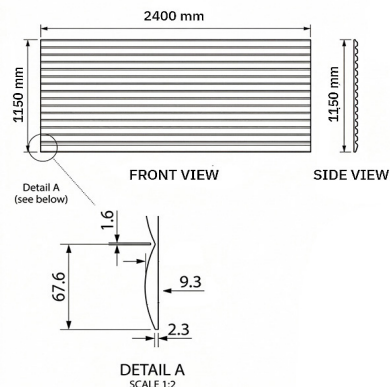
DIMENSION

Size	2400x1150 mm
Thickness	9.3 mm
Water Absorption	Very Low
Fire Resistance	B1 (Fire Safe)
Length	Customized
Eco Grade	E1

SURFACE FINISHES

Polyester Fiber

DIMENSIONAL DETAIL

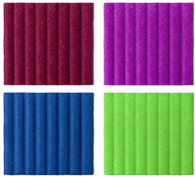


[Download .dwg](#) ↓



Finishes

ACUFORMS CFMH3DC4 3D Corrugation Acoustic Panels feature a smooth surface finish that enhances their clean and modern look. They are available in a wide range of customized colors to match different interior themes. The finish is durable, fade-resistant, and easy to maintain, making it suitable for both residential and commercial applications.



CFMH3DC3

Available in Multiple Colors



Custom Color Selection

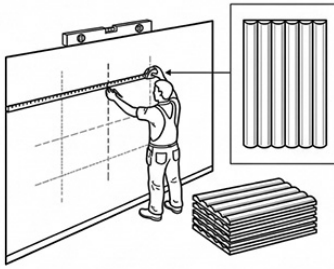
Customize your ACUFORMS – CFMH3DC4 3D Corrugation Acoustic Panels with your preferred color selection. Choose from a wide range of shades to achieve perfect design harmony, enhance interior aesthetics, and create bold, modern acoustic wall features. These customizable panels are ideal for adding both visual impact and effective sound control in residential and commercial spaces.



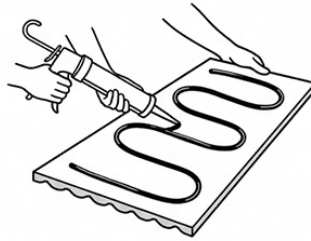


Installation Detail

ACUFORMS CFMH3DW3 3D Wushan Mountain Acoustic Panels can be installed using adhesive, nails, or a combination of both. Begin by cleaning the wall surface and marking reference lines for correct alignment. Apply construction glue evenly on the back or place nails through the panel into the substrate. Press firmly to ensure full contact. Panels can be trimmed or shaped using standard cutting tools for corners, joints, or custom layouts. Allow proper curing time for secure and long-lasting installation.



1. Prepare Wall and Panel



2. Apply Adhesive Gum



3. Press to Wall



4. Roll to Secure Panels



Connect with Us

Where ideas meet materials.
Let's create spaces that speak
through surface, texture, and
detail.

ask@craftaforms.com

craftaforms.com

[@insta.craftaforms](https://www.instagram.com/insta.craftaforms)

CRAFTA
FORMS
FINISHES STUDIO