

# CRAFTA FORMS

FINISHES STUDIO



# 111

## ACUFORMS -CFMH3DT6 3D Triangle Screen Acoustic Panel

**ACUFORMS- CFMH3DT6- 3D Triangle Screen Acoustic Panel** combine modern design with effective sound control. Made from 100% polyester fiber, these decorative panels reduce noise and echo while enhancing interiors. Lightweight and durable, they are ideal for offices, studios, and commercial spaces.





# Acuforms-CFMH3DT6

## 3D Triangle Screen Acoustic Panel

ACUFORMS CFMH3DT6 3D Triangle Screen Acoustic Panels are designed to improve both acoustics and interior aesthetics. Made from 100% polyester fiber, these 3D acoustic wall panels are formed using high-temperature pressing to create a strong and stable structure. The triangle pattern adds a modern geometric look, while the internal cavity design enhances sound absorption. As a result, they effectively reduce noise and echo in offices, studios, and commercial spaces. In addition, these decorative sound absorbing panels are lightweight, durable, and easy to install, making them a practical and stylish solution for modern interiors.

### MATERIAL

100 % Polyester

### DIMENSION

Size	436x436 mm
Thickness	5.6 mm
Water Absorption	Very Low
Fire Resistance	B1 (Fire Safe)
Length	Customized
Eco Grade	E1

### SURFACE FINISHES

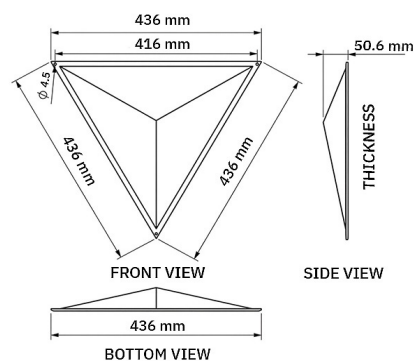
Polyester Fiber

### FINISHES



\* Please refer to Pages 04

### DIMENSIONAL DETAIL



Download .dwg ↓



# Finishes

ACUFORMS CFMH3DT6 3D Triangle Screen Acoustic Panels feature a smooth surface finish that enhances their clean and modern look. They are available in a wide range of customized colors to match different interior themes. The finish is durable, fade-resistant, and easy to maintain, making it suitable for both residential and commercial applications.



## **CFMH3DT6**

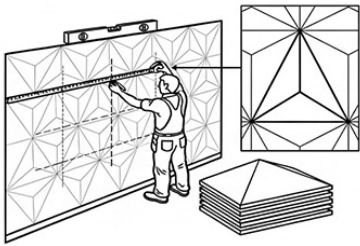
Available in Multiple Colors



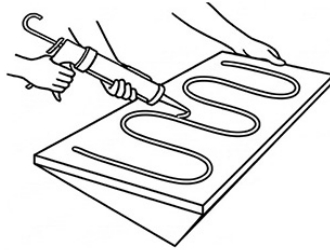


# Installation Detail

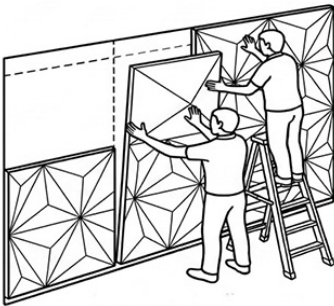
ACUFORMS CFMH3DT6 3D Triangle Screen Acoustic Panels can be installed using adhesive, nails, or a combination of both. Begin by cleaning the wall surface and marking reference lines for correct alignment. Apply construction glue evenly on the back or place nails through the panel into the substrate. Press firmly to ensure full contact. Panels can be trimmed or shaped using standard cutting tools for corners, joints, or custom layouts. Allow proper curing time for secure and long-lasting installation.



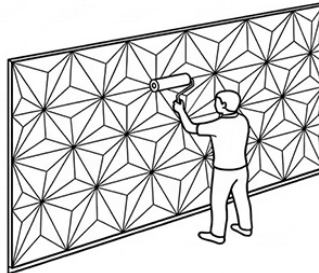
1. Prepare Wall and Panel



2. Apply Adhesive Gum



3. Press to Wall



4. Roll to Secure Panels



# Connect with Us

**Where ideas meet materials.**  
Let's create spaces that speak  
through surface, texture, and  
detail.

[ask@craftaforms.com](mailto:ask@craftaforms.com)

[craftaforms.com](http://craftaforms.com)

[@insta.craftaforms](https://www.instagram.com/insta.craftaforms)

CRAFTA  
FORMS  
FINISHES STUDIO