

CRAFTA FORMS

FINISHES STUDIO



112

Brown Interlayer Fluted Glass Panel GLASMETRA -CFBFGP

Brown Interlayer Fluted Glass Panel GLASMETRA-CFBFGP is a premium laminated architectural glass designed for modern interiors. Its bronze-toned fluted surface with a refined reeded texture enhances light flow while providing privacy, making it ideal for partitions, doors, and feature wall applications.





Browns Interlayer Fluted Glass Panels Glasmetra -CFPFGP

Browns Interlayer Fluted Glass Panel – GLASMETRA CFBFGP combines modern design with high performance. This laminated architectural glass features a bronze interlayer, creating a warm tone with a distinctive fluted glass design. The vertical ribbed texture forms a subtle 3D surface that diffuses light while maintaining privacy. Its structure includes fluted glass, EVA interlayer, and crystal glass for strength and durability. Ideal for interior glass wall panels, partitions, doors, and façades, it offers a balance of aesthetics and functionality. With excellent resistance to moisture and fire, it ensures long-term performance in residential and commercial interiors.

FINISHES



Bronze



Custom

MATERIAL

Premium Tempered Glass

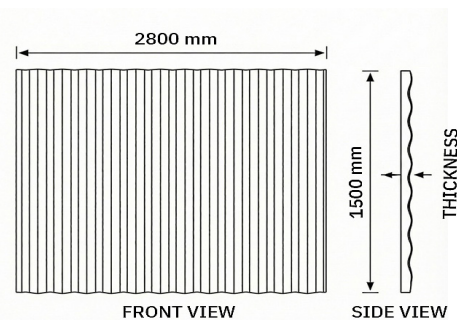
DIMENSION

Max Size	1500mm x 2800 mm
Total Thickness	11.52mm, +/-1mm
Weight	30kg/m ²
Water Absorption	0%
Fire Resistance	Class A
Glass Composition	5mm Fluted Glass +1.52mm EVA Interlayer 5mm Crystal Non Tempered Glass

SURFACE FINISHES

Frosted

DIMENSIONAL DETAIL



NOTE: Custom thickness from 10 -12 mm available on request.

[Download .dwg](#) ↓




Finishes

Available in elegant bronze-toned finishes, including Lucent and Pearl options, the panel also offers privacy variations such as frosted or etched surfaces. These finishes enhance the fluted texture while controlling light transmission, making them suitable for both decorative and functional interior applications.



CFBFGP

 Bronze



LAMINATED GLASS – TEST & COMPLIANCE STANDARDS

Test Reports

Certified by Independent Laboratory

Impact Test

Complies with:

- B.S. 6206 CLASS A (400 LB)
- B.S. 6206 CLASS B (150 LB)
- B.S. 6206 CLASS C (100 LB)
- ANSI Z97.1-1984 (100 LB)
- C.P.S.C. 16 C.F.R. 1201 – CATEGORY II (400 LB)

Boil Test

Complies with ANSI Z97.1-1984

Laminated Glass Standard

Complies with GB 15763.3-2009

Fire Resistance Test

Complies with BS 476 – Part 7

Tempering Standard

Complies with B.S. 6206

Mass & Thickness

Complies with B.S. 952

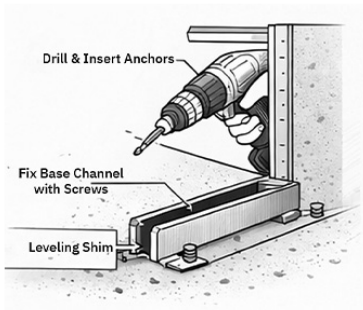
TECHNICAL STANDARDS & COMPLIANCE

The laminated glass must comply with B.S. 6206 Class A, B, C; ANSI Z97.1-1984; C.P.S.C. 16 C.F.R 1201 Category II; GB

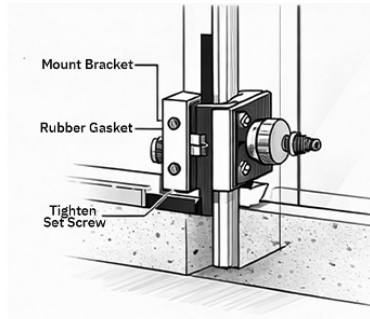


Installation Detail

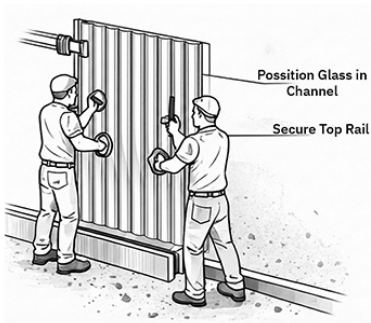
Browns Interlayer Fluted Glass Panel – GLASMETRA CFBFGP are installed using standard glass fixing systems such as channels, clamps, frames, or concealed hardware. Installation should be carried out by professional installers to ensure proper alignment, safety, and surface protection. Laminated options are recommended for high-traffic or safety-critical areas.



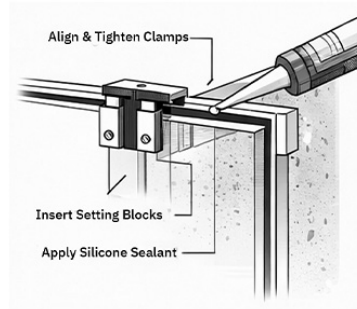
1. Prepare Base Channel



2. Install Glass & Gaskets



3. Set Glass Panel



4. Adjust & Seal



Connect with Us

Where ideas meet materials.
Let's create spaces that speak
through surface, texture, and
detail.

ask@craftaforms.com

craftaforms.com

[@insta.craftaforms](https://www.instagram.com/insta.craftaforms)