

CRAFTA FORMS

FINISHES STUDIO



115

Gradient Fluted Glass Panel GLASMETRA -CFGFGP

Gradient Fluted Glass Panel GLASMETRA-CFG-FGP combines a smooth gradient finish with vertical ribbed texture to create a modern decorative glass solution. It allows soft light diffusion while maintaining privacy. Its laminated structure ensures durability, making it ideal for partitions, feature walls, and interior architectural applications.





Gradient Fluted Glass Panels

Glasmetra -CFGFGP

Gradient Fluted Glass Panel – GLASMETRA -CFGFGP is a premium decorative glass solution designed for modern interiors. It features a refined gradient finish combined with a vertical fluted texture that enhances depth and visual appeal. This panel allows natural light to pass through while maintaining a level of privacy, making it suitable for partitions and feature walls. The laminated construction, using fluted glass, EVA interlayer, and crystal glass, ensures strength, durability, and safety. With zero water absorption and Class A fire resistance, it performs reliably in residential and commercial environments.

FINISHES



Yellow



Red



Pink



Blue



Custom

MATERIAL

Premium Tempered Glass

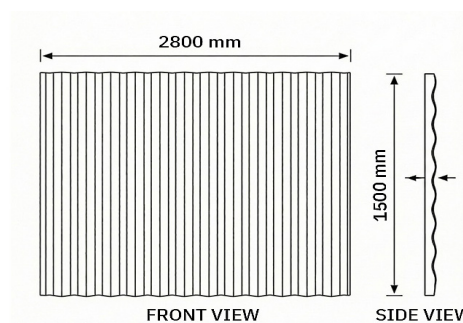
DIMENSION

Max Size	1500mm x 2800 mm
Total Thickness	11.52mm, +/-1mm
Weight	30kg/m ²
Water Absorption	0%
Fire Resistance	Class A
Glass Composition	5mm Fluted Glass +1.52mm EVA Interlayer 5mm Crystal Non Tempered Glass

SURFACE FINISHES

Frosted

DIMENSIONAL DETAIL



NOTE: Custom thickness from 10 -12 mm available on request.

[Download .dwg](#) ↓



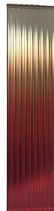
Finishes

Gradient Fluted Glass Panel – GLASMETRA -CFGFGP available in elegant gradient color variations, the panel features a smooth transition of tones combined with a vertical fluted texture. The surface offers a refined balance of transparency and diffusion. Custom gradient shades and finishes may be available to suit different interior design themes and architectural requirements.



CFBFGP-01

Crimson Smoke



CFBFGP-02

Golden Ember



CFBFGP-03

Molten Amber



CFBFGP-04

Rosewood Blush



CFBFGP-05

Honey Crystal



LAMINATED GLASS – TEST & COMPLIANCE STANDARDS

Test Reports

Certified by Independent Laboratory

Impact Test

Complies with:

- B.S. 6206 CLASS A (400 LB)
- B.S. 6206 CLASS B (150 LB)
- B.S. 6206 CLASS C (100 LB)
- ANSI Z97.1-1984 (100 LB)
- C.P.S.C. 16 C.F.R. 1201 – CATEGORY II (400 LB)

Boil Test

Complies with ANSI Z97.1-1984

Laminated Glass Standard

Complies with GB 15763.3-2009

Fire Resistance Test

Complies with BS 476 – Part 7

Tempering Standard

Complies with B.S. 6206

Mass & Thickness

Complies with B.S. 952

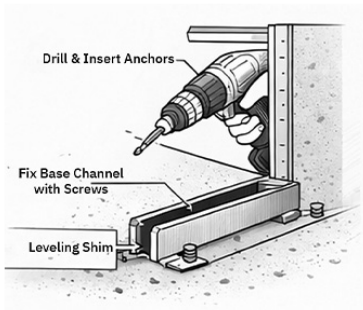
TECHNICAL STANDARDS & COMPLIANCE

The laminated glass must comply with B.S. 6206 Class A, B, C; ANSI Z97.1-1984; C.P.S.C. 16 C.F.R 1201 Category II; GB

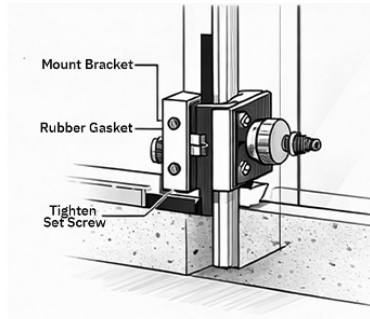


Installation Detail

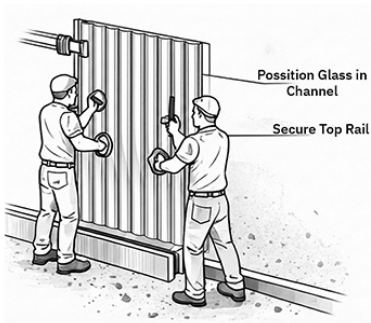
Gradient Fluted Glass Panel – GLASMETRA -CFGFGP are installed using standard glass fixing systems such as channels, clamps, frames, or concealed hardware. Installation should be carried out by professional installers to ensure proper alignment, safety, and surface protection. Laminated options are recommended for high-traffic or safety-critical areas.



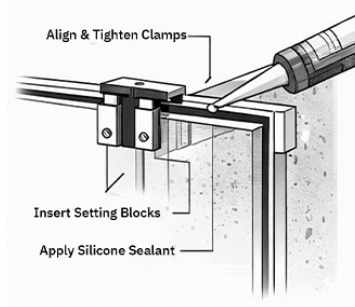
1. Prepare Base Channel



2. Install Glass & Gaskets



3. Set Glass Panel



4. Adjust & Seal



Connect with Us

Where ideas meet materials.
Let's create spaces that speak
through surface, texture, and
detail.

ask@craftaforms.com

craftaforms.com

[@insta.craftaforms](https://www.instagram.com/insta.craftaforms)

CRAFTA
FORMS
FINISHES STUDIO