

# CRAFTA FORMS

FINISHES STUDIO



## 116

### Colored Sculptural Paper Ceiling -TEXTURA-CSPC

**TEXTURA - CSPC - Colored Sculptural Paper Ceiling** is a premium colored sculptural paper ceiling crafted from high-performance polycarbonate. Featuring a French-inspired 3D textured surface, it transforms ordinary ceilings into striking architectural statements. Ideal for halls, offices, malls, and luxury interiors — delivering elegant aesthetics, soft light diffusion, and lasting durability.





# Colored Sculptural Paper Ceiling

## TEXTURA -CSPC

TEXTURA – CSPC by CraftaForms redefines modern ceiling design by merging artistic expression with architectural precision. Engineered from advanced polycarbonate (PC), it replicates the refined look of colored French texture paper while offering superior impact resistance, heat stability (Tg ~150°C), and dimensional durability. The sculptural 3D surface creates rhythm, depth, and an elevated decorative texture that enhances any interior. Lightweight and modular, it enables fast installation across commercial and residential spaces. Delivering soft, ambient light diffusion, TEXTURA – CSPC suits offices, shopping malls, cafés, libraries, and hospitality projects. Available in widths of 40mm to 60mm with roll lengths up to 30 meters and UL 94 V-2 fire rating.

### FINISHES



Alabaster  
White



Brush  
Breccia



Banded  
Sienna



Sandstone  
Beige



Dusty  
Indigo



Violet  
Agate



Smoky  
Cerulean

### MATERIAL

Polycarbonate (PC)

### DIMENSION

Width Options

40 mm, 60mm

Max Roll Length

30 meters

Standard Size

0.5 × 100 mm

Fire Rating

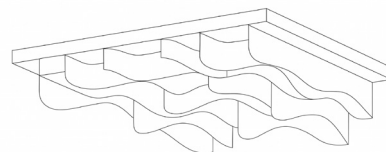
UL 94 V-2

### SURFACE FINISHES

Textured Colored Surface

French-inspired Sculptural Finish

### DIMENSIONAL DETAIL



Width: 40mm,60mm (1.57",2.36" Inches)

Max Length: 30 meters (1181.10 inches)

Download .dwg ↓

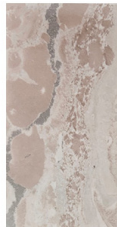


# Finishes

TEXTURA – CSPC is available in a textured colored surface with a French-inspired sculptural finish that adds depth and visual richness to any ceiling. The polycarbonate base supports vibrant, consistent color throughout its structure. Its refined surface replicates the elegance of decorative paper while maintaining resistance to heat, impact, and long-term deformation.



**CF-F7**  
Alabaster White



**CF-F3**  
Brush Breccia



**CF-F14**  
Banded Sienna



**CF-F15**  
Sandstone Beige



**CF-F16**  
Dusty Indigo



**CF-F17**  
Violet Agate



**CF-F18**  
Smoky Cerulean



# Installation Detail

TEXTURA – CSPC panels mount onto a lightweight ceiling grid or directly to a base frame using adhesive or concealed clips. Ensure precise alignment during fitting to achieve a seamless, continuous finish. The flexible polycarbonate panels can be curved or layered to create striking 3D ceiling effects. Recommended for indoor use in controlled humidity environments, making it ideal for offices, halls, malls, and hospitality interiors.

## Step 1: Prepare the Ceiling Surface

Ensure the ceiling surface is clean, dry, and free of any debris.

## Step 2: Install the Ceiling Gridding

Install the ceiling gridding framework to provide structural support for the paper ceiling panels.

## Step 3: Fix the Support Frame

Attach the support frame to the ceiling gridding, ensuring it is securely fastened. This frame will hold the ceiling panels.

## Step 4: Add Hanging Clips

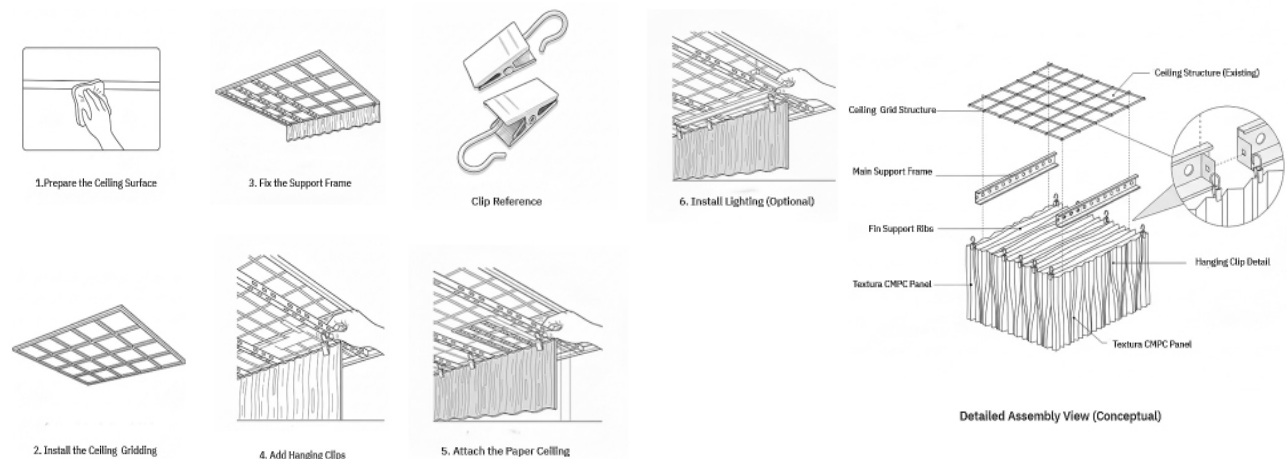
Utilize the provided hanging clips. These clips will attach the paper ceiling to the support frame.

## Step 5: Attach the Paper Ceiling

Carefully attach the Textura CMPC paper ceiling panels to the hanging clips and support frame. Ensure even distribution and alignment.

## Step 6: Install Lighting (Optional)

If desired, integrate LED lighting seamlessly into your ceiling design to the support frame.





## Textura CSPC Modular Ceiling System: Installation Methods

The CSPC Colored Modern Paper Ceiling Panels is installed directly onto the ceiling surface using a straightforward 3M tape-fix method. The lightweight base frame is secured with surface-mount tape, ensuring proper alignment before a second layer of double-sided tape is applied. The flexible paper panels are then attached directly to the mounted frame and manually adjusted to create a seamless, undulating 3D effect. Recommended for indoor use in controlled humidity environments.



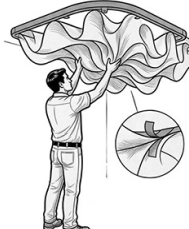
1. Apply 3M Surface-Mount Tape to Frame Tabs



2. Secure Taped Frame to Ceiling and Check Alignment (Stick Fix)

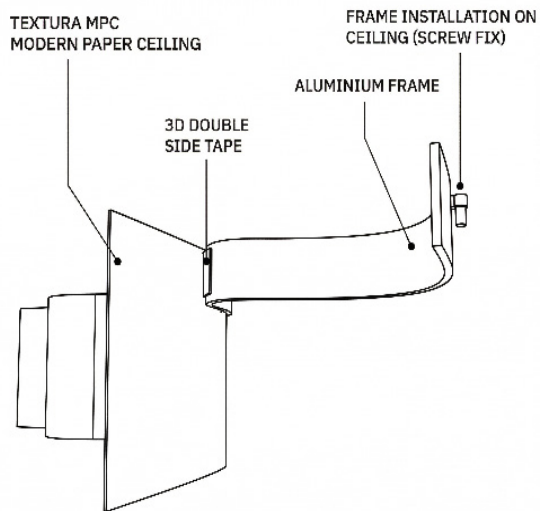


3. Apply 3M Double-Sided Tape for Paper Ceiling



4. Attach Textura MPC

### CEILING-MOUNTING FRAME ASSEMBLY





# Connect with Us

**Where ideas meet materials.**  
Let's create spaces that speak  
through surface, texture, and  
detail.

[ask@craftaforms.com](mailto:ask@craftaforms.com)

[craftaforms.com](http://craftaforms.com)

[@insta.craftaforms](https://www.instagram.com/insta.craftaforms)

CRAFTA  
FORMS  
FINISHES STUDIO