

CRAFTA FORMS

FINISHES STUDIO



122

3D Wave Acoustic Panels ACUFORMS -CFMH3DS10

3D Wave Acoustic Panel -ACUFORMS- CFMH3DS10 combine modern wall aesthetics with effective sound absorption. Made from 100% polyester fiber, these decorative acoustic panels reduce echo and noise while enhancing interiors with a stylish wave design. Ideal for offices, studios, theaters, and hospitality spaces.





Acuforms-CFMH3DW10 3D Wall Acoustic Panel

3D Wave Acoustic Panels-ACUFORMS CFMH3DW10 are designed to improve interior acoustics while adding a modern architectural look. Manufactured from 100% polyester fiber, these 3D acoustic wall panels feature an elegant wave texture that creates depth and visual movement on walls. In addition, the integrally formed cavity structure enhances sound absorption and helps reduce echo and unwanted noise. The panels are lightweight, flame retardant, eco-friendly, and easy to install using glue or nails. Suitable for offices, studios, theaters, hospitality spaces, and luxury commercial interiors.

FINISHES



* Please refer to Pages 04

MATERIAL

100 % Polyester

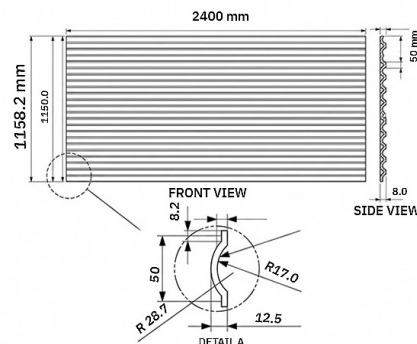
DIMENSION

Size	2400x1158.2 mm
Thickness	12.5 mm
Water Absorption	Very Low
Fire Resistance	B1 (Fire Safe)
Length	Customized
Eco Grade	E1

SURFACE FINISHES

Polyester Fiber

DIMENSIONAL DETAIL

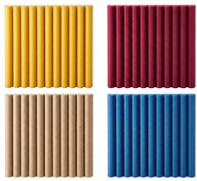


Download .dwg ↓



Finishes

3D Wave Acoustic Panels-ACUFORMS CFMH3DW10 feature a smooth surface finish that enhances their clean and modern look. They are available in a wide range of customized colors to match different interior themes. The finish is durable, fade-resistant, and easy to maintain, making it suitable for both residential and commercial applications.



CFMH3DW10

Available in Multiple Colors



Custom Color Selection

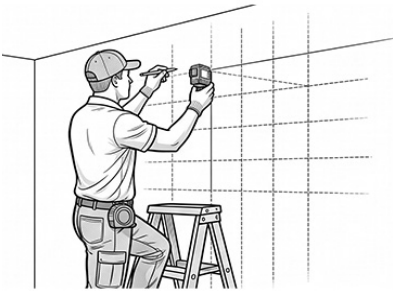
Customize your 3D Wave Acoustic Panels-ACUFORMS CFMH3DW10 with your preferred color selection. Choose from a wide range of shades to achieve perfect design harmony, enhance interior aesthetics, and create bold, modern acoustic wall features. These customizable panels are ideal for adding both visual impact and effective sound control in residential and commercial spaces.

									
01-Pebble	02-Mocha	03-Slate	04-Walnut	05-Saffron	06-Taupe	07-Camel	08-Ochre	09-Rust	10-Sand
									
11-Harmonic	12-Overtone	13-Sustain	14-Tone	15-Node	16-Bass	17-Treble	18-Hertz	19-Wave	20-Baffle
									
21-Octave	22-Phase	23-Velocity	24-Impedance	25-Damping	26-Decay	27-Attack	28-Release	29-Spectrum	30-Delay
									
31-Gain	32-Reflection	33-Noise	34-Chord	35-Mute	36-Flanger	37-Phaser	38-Foley	39-Ambient	40-Sonic
									
41-Absorption	42-Distortion	43-Copper	44-Stereo	45-Mono	46-Loudness	47-Masking	48-Aliasing	49-Clipping	50-Indigo
									
51-Pulse	52-Drone	53-Filter	54-Sweep	55-Audio	56-Vocal	57-Tempo	58-Beat	59-Fade	60-Pan
									
61-Bypass	62-Vibrato	63-Tremolo	64-Melody	65-Rhythm	66-Fidelity	67-Sync			



Installation Detail

3D Wave Acoustic Panels-ACUFORMS CFMH3DW10 can be installed using adhesive, nails, or a combination of both. Begin by cleaning the wall surface and marking reference lines for correct alignment. Apply construction glue evenly on the back or place nails through the panel into the substrate. Press firmly to ensure full contact. Panels can be trimmed or shaped using standard cutting tools for corners, joints, or custom layouts. Allow proper curing time for secure and long-lasting installation.



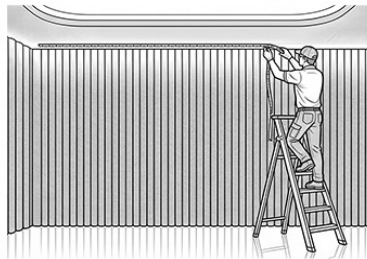
1. Prepare Wall and Panel



2. Apply Adhesive Gum



3. Press to Wall



4. Roll to Secure Panels



Connect with Us

Where ideas meet materials.
Let's create spaces that speak
through surface, texture, and
detail.

ask@craftaforms.com

craftaforms.com

[@insta.craftaforms](https://www.instagram.com/insta.craftaforms)

CRAFTA
FORMS
FINISHES STUDIO