

# CRAFTA FORMS

FINISHES STUDIO



# 124

## Hammered Decorative Metal Panels STEELONIX- CW2HDM

**Hammered Decorative Metal Panels-STEELONIX-CW2HDM** feature a premium hammered pebble texture that adds depth, shine, and luxury appeal to architectural surfaces. Made from high-grade stainless steel, these decorative panels are rust-resistant, durable, lightweight, and suitable for wall cladding, ceilings, furniture, and feature interiors.





# Steelonix-CW2HDM

## Hammered Decorative Metal Panels

Hammered Decorative Metal Panels – STEELONIX – CW2HDM combine bold texture with premium stainless steel quality for luxury interior and exterior applications. Featuring a unique hammered pebble finish, these decorative metal sheets create rich light reflections and modern visual depth on walls, ceilings, columns, furniture, and cladding surfaces. Manufactured from high-grade stainless steel, the panels offer excellent resistance to rust, moisture, heat, and daily wear. Lightweight yet durable, they are easy to fabricate and install, making them ideal for hotels, retail spaces, restaurants, commercial projects, and designer residential interiors.

### FINISHES

\*Colors are available as per the chart below

### MATERIAL

100 % Polyester

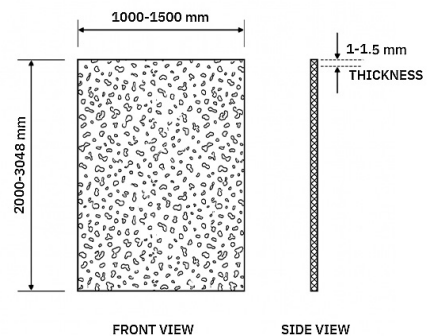
### DIMENSION

Lengths	2000–3048 mm
Widths	1000–1500 mm
Thickness	1 – 1.5 mm
Water Absorption	Water Resistant
Fire Resistance	Fire Resistant

### SURFACE FINISHES

Hammered, PVD

### DIMENSIONAL DETAIL



[Download .dwg](#) ↓





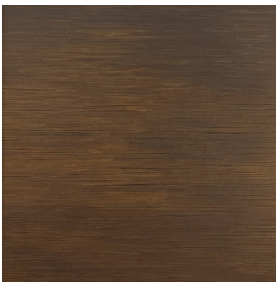
CF-CW2HDM-35



CF-CW2HDM-36



CF-CW2HDM-37



CF-CW2HDM-38



CF-CW2HDM-39



CF-CW2HDM-40



CF-CW2HDM-41



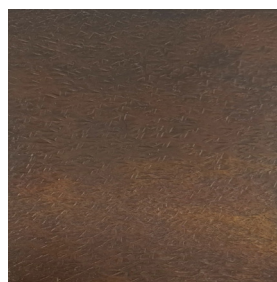
CF-CW2HDM-42



CF-CW2HDM-43



CF-CW2HDM-44



CF-CW2HDM-45



CF-CW2HDM-46

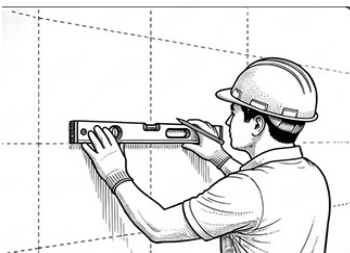






## Frame Fixing Method

Hammered Decorative Metal Panels – STEELONIX – CW2HDM is designed for quick and easy installation. Clean the wall surface and mark the panel layout before installation. Install wooden or metal furring strips securely on the wall to create a support frame. Position the hammered stainless steel sheet carefully over the spacers and align it correctly. Finally, secure the panel using screws or fasteners and check all edges for a neat and professional finish



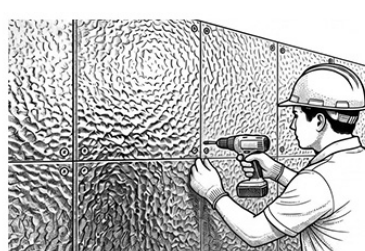
1. Clean Wall and Mark Grid



2. Install Wooden Furring Strips



3. Position Panel Over Spacers



4. Secure all Fasteners and Finish



# Connect with Us

**Where ideas meet materials.**  
Let's create spaces that speak  
through surface, texture, and  
detail.

[ask@craftaforms.com](mailto:ask@craftaforms.com)

[craftaforms.com](http://craftaforms.com)

[@insta.craftaforms](https://www.instagram.com/insta.craftaforms)

CRAFTA  
FORMS  
FINISHES STUDIO