

CRAFTA FORMS

FINISHES STUDIO



127

Wavy Decorative Laminated Glass Panel GLASMETRA -CFDLGP

Wavy Decorative Laminated Glass Panel-GLASMETRA- CFDLGP features a precision-etched brass or bronze metal interlayer between two safety glass layers. Moreover, its signature wavy flow line pattern adds depth and luxury to any interior. Therefore, it is ideal for feature walls, partitions, and designer spaces.





Glasmetra-CFDLGP

Wavy Decorative Laminated Glass Panel

Wavy Decorative Laminated Glass Panel -GLASMETRA -CFDLGP is a premium architectural glass product designed for luxury interiors. Furthermore, it combines a brass or bronze etched metal interlayer with high-quality laminated safety glass. As a result, the organic wavy flow line pattern creates a striking visual depth on any wall. Moreover, the warm gold tone complements both modern and classic interiors. Additionally, the semi-transparent construction allows soft light diffusion, making it perfect for backlit installations. Therefore, it suits hotels, offices, showrooms, and high-end residential spaces equally well.

FINISHES



Antique
Bronze



Champagne
Gold



Frosted
Pearl

MATERIAL

100 % Polyester

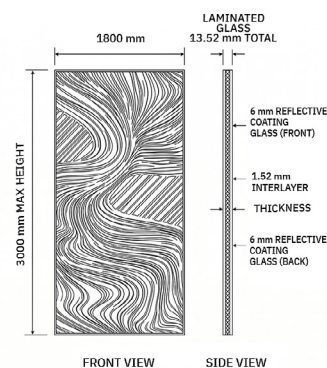
DIMENSION

Maximum Height	3000 mm
Thickness	13.52 mm
Width	1800 mm
Waterproof	Water-Resistant
Fire Resistance	Non-Fire-Rated

SURFACE FINISHES

Gloss Laminated

DIMENSIONAL DETAIL



Download .dwg ↓



Finishes

Wavy Decorative Laminated Glass Panel -GLASMETRA -CFDLGP in a warm gold brass tone with a precision-etched wavy pattern finish. Moreover, the metal interlayer offers a rich contrast between polished flow lines and crosshatch textures. Furthermore, the overall finish adds a luxurious and artistic character to any interior wall or partition.



CFDLGP-01



CFDLGP-02

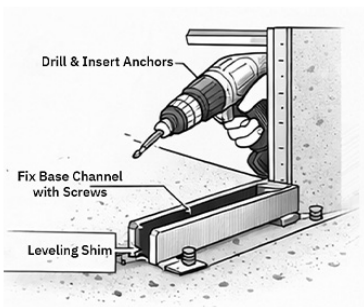


CFDLGP-03

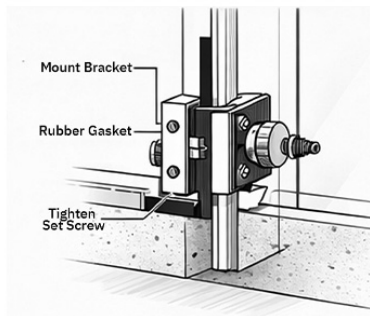


Installation Detail

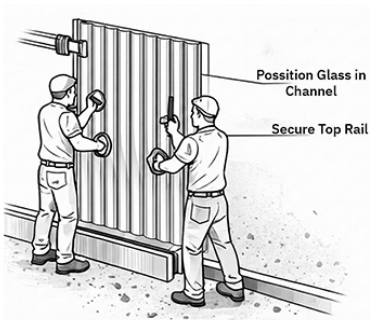
Wavy Decorative Laminated -GLASMETRA- CFDLGP are installed using standard glass fixing systems such as channels, clamps, frames, or concealed hardware. Installation should be carried out by professional installers to ensure proper alignment, safety, and surface protection. Laminated options are recommended for high-traffic or safety-critical areas.



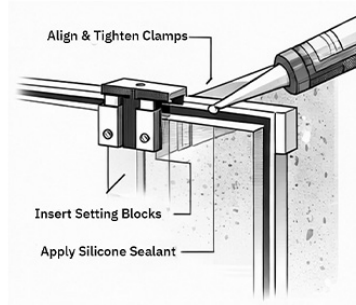
1. Prepare Base Channel



2. Install Glass & Gaskets



3. Set Glass Panel



4. Adjust & Seal



Connect with Us

Where ideas meet materials.
Let's create spaces that speak
through surface, texture, and
detail.

ask@craftaforms.com

craftaforms.com

[@insta.craftaforms](https://www.instagram.com/insta.craftaforms)

CRAFTA
FORMS
FINISHES STUDIO