

CRAFTA FORMS

FINISHES STUDIO



128

Branchy Decorative Laminated Glass Panel GLASMETRA -CFBDLGP

Branchy Decorative Laminated Glass Panel-GLASMETRA- CFBDLGP features elegant organic branch patterns laminated between premium safety glass. Available in four stunning variants — Amber Fabric, Clear Gold, White Mosaic and Bronze Gold — this panel is ideal for luxury interior partitions and feature walls.





Glasmetra-CFBDLGP

Branchy Decorative Laminated Glass Panel

GLASMETRA CFBDLGP Branchy Decorative Laminated Glass Panel combines natural elegance with sophisticated architectural design. Crafted from 6mm+6mm laminated safety glass, each panel features flowing organic branch patterns inspired by bare branches, reeds, and natural tree forms. Available in fabric interlayer and printed pattern variants, the collection offers warm tone, neutral tone, clear transparent, and white pearl finishes. With smooth and textured surface options, these panels deliver both visual beauty and practical performance. Moisture-resistant, durable, and easy to maintain, they are perfectly suited for hotels, spas, bathrooms, offices, and luxury residential interiors.

FINISHES



Amber Gold



Pearl White



Crystal Gold



Sand Beige



Bronze Gold

MATERIAL

100 % Polyester

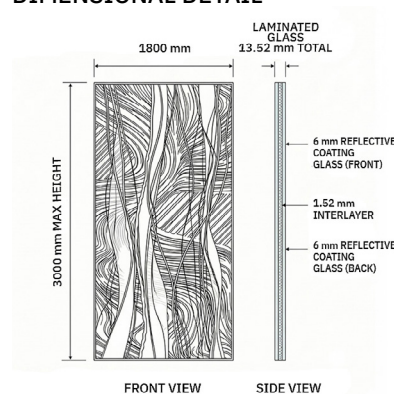
DIMENSION

Maximum Height	2800 mm
Thickness	6 mm
Waterproof	Water-Resistant
Fire Resistance	Non-Fire-Rated
Interlayer Material	Bronze etched metal Foil

SURFACE FINISHES

Gloss Laminated

DIMENSIONAL DETAIL



[Download .dwg](#) ↓



Finishes

Branchy Decorative Laminated Glass Panel -GLASMETRA -CFBDLGP is available in five finishes — Amber Gold -warm fabric interlayer, Pearl White -soft wave texture, Crystal Gold -clear printed pattern, Sand Beige -mosaic mesh texture, and Bronze Gold -bold branch on dark base. Each finish suits distinct luxury interior design requirements.



CFBDLGP-10



CFBDLGP-11



CFBDLGP-12



CFBDLGP-13

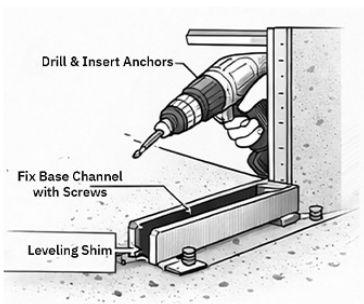


CFBDLGP-16

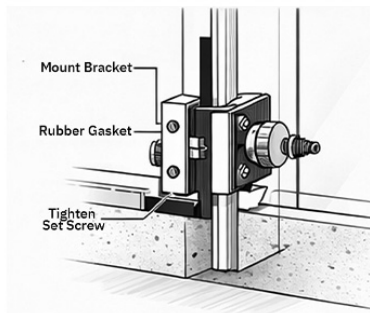


Installation Detail

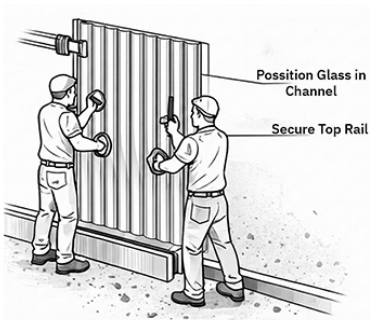
Branchy Decorative Laminated Glass Panel -GLASMETRA -CFBDLGP are installed using standard glass fixing systems such as channels, clamps, frames, or concealed hardware. Installation should be carried out by professional installers to ensure proper alignment, safety, and surface protection. Laminated options are recommended for high-traffic or safety-critical areas.



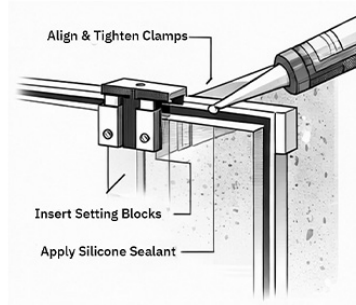
1. Prepare Base Channel



2. Install Glass & Gaskets



3. Set Glass Panel



4. Adjust & Seal



Connect with Us

Where ideas meet materials.
Let's create spaces that speak
through surface, texture, and
detail.

ask@craftaforms.com

craftaforms.com

[@insta.craftaforms](https://www.instagram.com/insta.craftaforms)

CRAFTA
FORMS
FINISHES STUDIO