

CRAFTA FORMS

FINISHES STUDIO



131

Tarnished Decora-
tive Laminated
Glass Panel
GLASMETRA
-CFGZDLGP

**Tarnished Decorative Laminated Glass Panel-GLAS-
METRA- CFGZDLGP** combines the beauty of an aged mirror
finish with the strength of laminated safety glass. Its reflective
tarnished effect adds depth, character, and sophistication to
luxury interiors, making it ideal for feature walls, partitions, and
decorative applications.





Glasmetra-CFTDLGP

Tarnished Decorative Laminated Glass Panel

GLASMETRA CFTDLGP Tarnished Decorative Laminated Glass Panel is a premium decorative laminated glass panel featuring a distinctive tarnished mirror finish that brings timeless elegance to modern interiors. Manufactured using 6mm reflective coating glass laminated to 6mm reflective coating glass, it offers enhanced safety, durability, and visual appeal. The antique-inspired reflective surface creates depth and dynamic light effects, making spaces feel brighter and more luxurious. Suitable for residential, hospitality, retail, office, and commercial environments, it is ideal for feature walls, decorative partitions, and custom interior design applications.

FINISHES

- 
 Champagne Sage
- 
 Burnished Bronze

MATERIAL

100 % Polyester

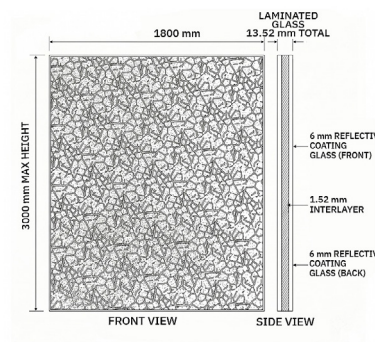
DIMENSION

Maximum Height	1250 mm
Weight	2950 mm
Thickness	13.52 mm
Waterproof	Water-Resistant
Fire Resistance	Non-Fire-Rated

SURFACE FINISHES

Gloss Laminated

DIMENSIONAL DETAIL



Download .dwg ↓

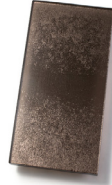


Finishes

Tarnished Decorative Laminated Glass Panel -GLASMETRA -CFTDLGP panel features a premium tarnished reflective mirror finish that combines antique character with contemporary elegance. Its aged metallic appearance creates unique visual textures, subtle variations, and rich reflections that enhance light and depth. The finish is ideal for luxury interiors seeking a sophisticated vintage-inspired aesthetic.



CFTDLGP-28

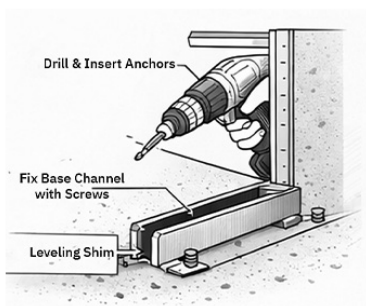


CFTDLGP-29

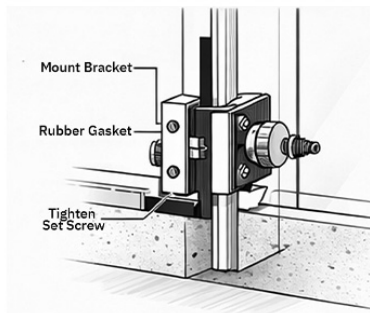


Installation Detail

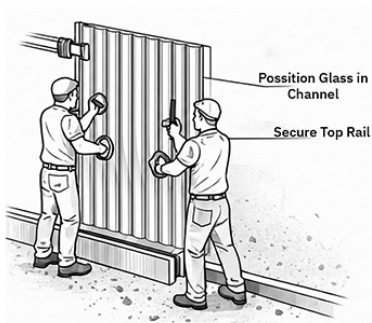
Tarnished Decorative Laminated Glass Panel -GLASMETRA -CFTDLGP are installed using standard glass fixing systems such as channels, clamps, frames, or concealed hardware. Installation should be carried out by professional installers to ensure proper alignment, safety, and surface protection. Laminated options are recommended for high-traffic or safety-critical areas.



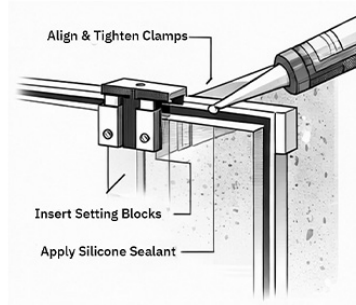
1. Prepare Base Channel



2. Install Glass & Gaskets



3. Set Glass Panel



4. Adjust & Seal



Connect with Us

Where ideas meet materials.
Let's create spaces that speak
through surface, texture, and
detail.

ask@craftaforms.com

craftaforms.com

[@insta.craftaforms](https://www.instagram.com/insta.craftaforms)

CRAFTA
FORMS
FINISHES STUDIO